

TECHNICAL SPECS

Schäffer Model 9660 T

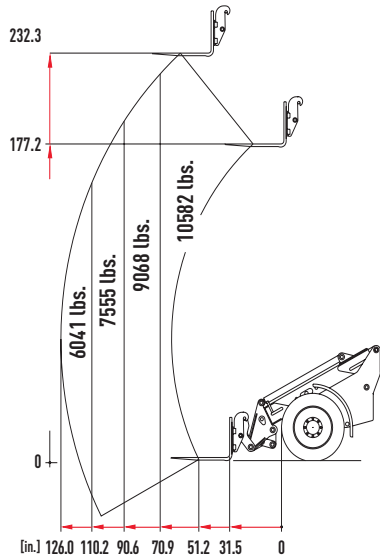
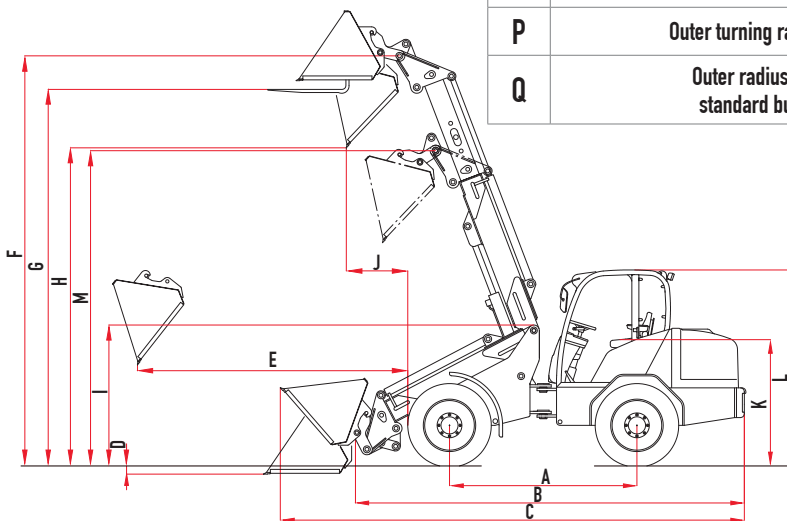


Diagram refers to the lift capacity in relation to the boom extension, when used with forks on stable ground (according EN 474-3)

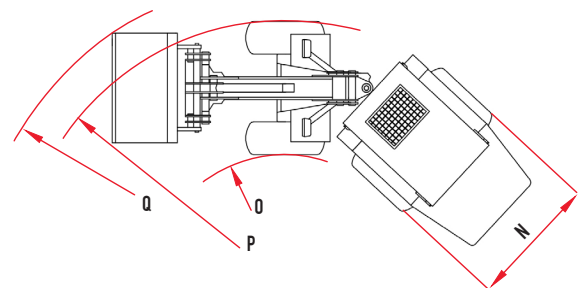


	DIMENSIONS	9660 T
A	Wheelbase	9 ft 6.2 in
B	Chassis length	19 ft 4.3 in
C	Overall length with standard bucket	22 ft 9.6 in
D	Digging depth	3.1 in
E	Forward reach	10 ft 9.9 in
F	Max. bucket pivot height	20 ft 0.2 in
G	Loading height with pallet fork	19 ft 4.3 in
H	Max. dumping height	16 ft 8.8 in
I	Front end height	7 ft 2.2 in
J	Dumping depth	2 ft 9.5 in
K	Seat height	6 ft 2 in
L	Cab height	9 ft 6.2 in
M	Swivelling point, telescopic arm retracted	15 ft 9 in
N	Overall width	90.2 - 98.0 in
O	Inner turning radius	9 ft 6.6 in
P	Outer turning radius	13 ft 9.4 in
Q	Outer radius with standard bucket	15 ft 3.1 in

	TECHNICAL DATA	9660 T
Engine		4 Cyl. Deutz Common Rail Turbo TCD 5.2 with Intercooler, 177 hp / 204 hp (130 kW / 150 kW)
Traction hydraulics		Hydrostatic-automotive, HTF (High Traction Force)
Service braking system		Combined brake hydrostatic and multi-disc brake
Parking brake		Multi-disc brake running in oil bath
Working hydraulics output/pressure		Delivery rate: 51.8 GPM [Load sensing]. Option: 60.8 GPM Operating pressure: 3,191 psi
Steering		Fully hydraulic articulated steering
Lifting capacity		11,685 lbs
Tipping load, straight ¹		16,976 lbs
Axles		Dana axles, 10-hole rim; planetary final drive and automatic slip-control differential, swing axle at rear
Operating weight		Cab: 24,251 - 28,660 lbs
Speed		18.6 mph in 2 gears switchable under load, Option: 25 mph ²
Electric system		Operating voltage: 12 V
Fill quantities		Fuel: 48.9 gal Hydraulic oil: 44.9 gal
Sound pressure level LpA		78 dB(A)

¹ Boom horizontal, not extended with pallet fork (acc. To ISO 14397)

² 25 mph version incl. boom suspensions, SPT, SDCT, and ECO mode. Tire dimensions and additional equipment can change the operating weight, tipping load, and payload.



Wheel Options (Standard tire option highlighted in yellow)

DIMENSION	LOADER WIDTH (in)	TREAD OPTIONS
500/70R24	90.2	AS Farmer
600/55-26.5	94.1	AS Farmer
650/55-26.5	96.1	MPT
700/50-26.5	98	AS Farmer

