

TECHNICAL SPECS

Schäffer Model 8620 T

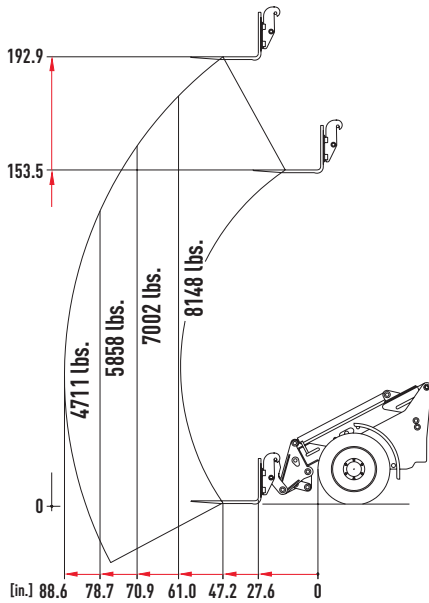
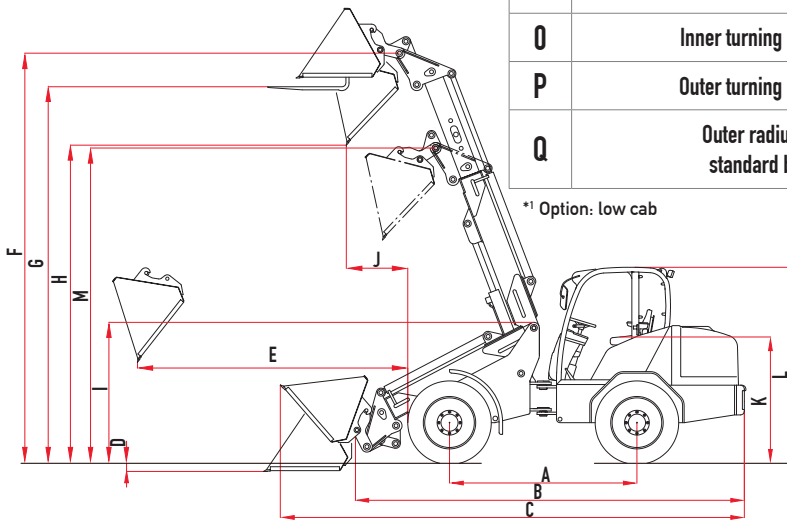


Diagram refers to the lift capacity in relation to the boom extension, when used with forks on table ground (according EN 474-3)



*1 Option: low cab

	DIMENSIONS	8620 T
A	Wheelbase	8 ft 3.8 in
B	Chassis length	16 ft 9.3 in
C	Overall length with standard bucket	19 ft 9.4 in
D	Digging depth	3 in
E	Forward reach	8 ft 8.7 in
F	Max. bucket pivot height	17 ft 0.7 in
G	Loading height with pallet fork	16 ft 3.3 in
H	Max. dumping height	14 ft 3.3 in
I	Front end height	6 ft 3.2 in
J	Dumping depth	2 ft 1.6 in
K	Seat height	5 ft 5.4 in
L	Cab height	9 ft 1.1 in / 8 ft 9.1 in*1
M	Swivelling point, telescopic arm retracted	13 ft 4.8 in
N	Overall width	80.7 - 87.8 in
O	Inner turning radius	7 ft 6.9 in
P	Outer turning radius	14 ft 4.8 in
Q	Outer radius with standard bucket	14 ft 0.9 in

	TECHNICAL DATA	8620 T
Engine	Engine	4 Cyl. DEUTZ COMMON RAIL TURBO TCD 3.6 with Intercooler, 102 hp / 129 hp (75 / 95 kW)
Traction hydraulics	Traction hydraulics	Hydrostatic-automotive, HTF (High Traction Force)
Service braking system	Service braking system	Combined brake hydrostatic and multi-disc brake
Parking brake	Parking brake	Multi-disc brake running in oil bath
Working hydraulics output/pressure	Working hydraulics output/pressure	Delivery rate: from 28 GPM Option: 34.1 GPM [Flow Sharing], 38.3 GPM [Flow Sharing and Load Sensing, 129 hp only] Operating pressure: 3,191 psi
Steering	Steering	Fully hydraulic articulated steering
Lifting capacity	Lifting capacity	9,259 lbs
Tipping load, straight*1	Tipping load, straight*1	12,081 lbs
Axles	Axles	Dana HD axles, 8-hole rim; planetary final drive and automatic slip-control differential, swing axle at rear
Operating weight	Operating weight	Cab: 15,543 - 17,527 lbs
Speed	Speed	12.4 mph in 2 gears switchable under load, Option: 25 mph*2
Electric system	Electric system	Operating voltage: 12 V
Fill quantities	Fill quantities	Fuel: 39.6 gal Hydraulic oil: 34.3 gal
Sound pressure level LpA	Sound pressure level LpA	71 dB(A)

*1 Boom horizontal, not extended with pallet fork (acc. To ISO 14397)
 *2 25 mph version incl. boom suspensions, SPT, SDCT, and ECO mode.
 Tire dimensions and additional equipment can change the operating weight, tipping load and payload.

Wheel Options (Standard tire option highlighted in yellow)

DIMENSION	LOADER WIDTH (in)**	TREAD OPTIONS
18-22.5	81.9 - 85.8	As Farmer
400/70-20*	80.7	As Farmer
500/60-22.5	84.3	AS Farmer
600/40-22.5*	87.8	AS Farmer
600/50-22.5	87.8	AS Farmer



AS FARMER

*Not available for 25 mph version.

**Measurements vary based on rim offset configurations.

