

TECHNICAL SPECS

Schäffer Model 9640 T

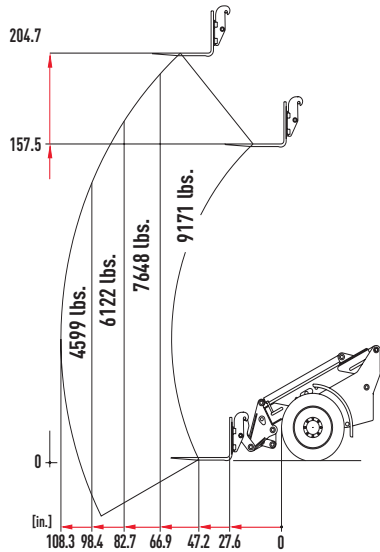
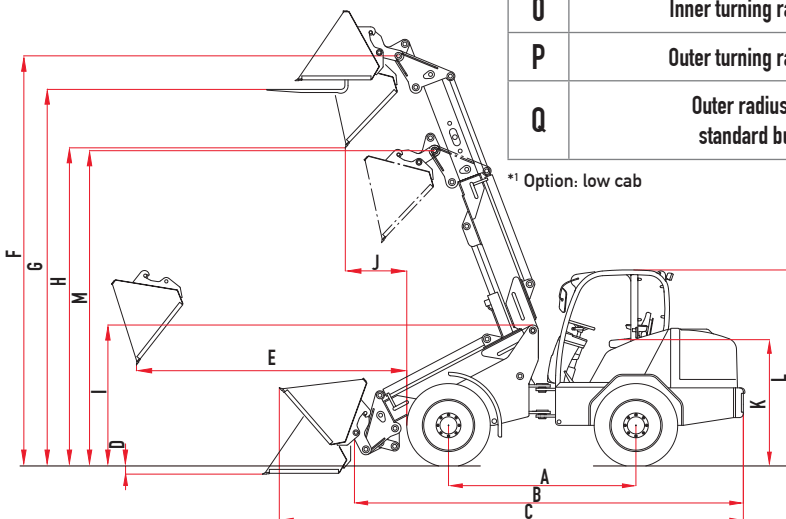


Diagram refers to the lift capacity in relation to the boom extension, when used with forks on table ground (according EN 474-3)

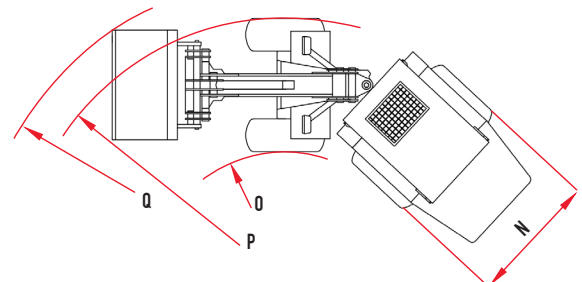


*1 Option: low cab

	DIMENSIONS	9640 T
A	Wheelbase	8 ft 7 in
B	Chassis length	17 ft 10.6 in
C	Overall length with standard bucket	20 ft 6.5 in
D	Digging depth	2.8 in
E	Forward reach	9 ft 4.6 in
F	Max. bucket pivot height	17 ft 8.6 in
G	Loading height with pallet fork	16 ft 11.9 in
H	Max. dumping height	15 ft 0.1 in
I	Front end height	6 ft 5.2 in
J	Dumping width	2 ft 5.1 in
K	Seat height	5 ft 5 in
L	Cab height	9 ft 3.4 in / 8 ft 11.5 in *1
M	Swivelling point, telescopic arm retracted	13 ft 5.4 in
N	Overall width	91.7 - 93.7 in
O	Inner turning radius	7 ft 3.4 in
P	Outer turning radius	13 ft 0.7 in
Q	Outer radius with standard bucket	14 ft 10.3 in

	TECHNICAL DATA	9640 T
	Engine	4 Cyl. DEUTZ COMMON RAIL TURBO TCD 3.6 with Intercooler, 143 hp (105 kW)
	Traction hydraulics	Hydrostatic-automotive, HTF (High Traction Force)
	Service braking system	Combined brake hydrostatic and multi-disc brake
	Parking brake	Multi-disc brake running in oil bath
	Working hydraulics output/pressure	Delivery rate: from 31.9 GPM Operating pressure: 3,191 psi
	Steering	Fully hydraulic articulated steering
	Lifting capacity	9,259 lbs
	Tipping load, straight*1	13,095 lbs
	Axles	ZF HD axles, 10-hole rim; planetary final drive and automatic slip-control differential, swing axle at rear
	Operating weight	Cab: 18,519 - 21,385 lbs
	Speed	12.4 mph in 2 gears switchable under load, Option: 25 mph *2
	Electric system	Operating voltage: 12 V
	Fill quantities	Fuel: 39.6 gal Hydraulic oil: 27.2 gal
	Sound pressure level LpA	71 dB(A)

*1 Boom horizontal, not extended with pallet fork (acc. To ISO 14397)
*2 25 mph version incl. boom suspensions, SPT, SDCT, and ECO mode (for 129 hp)



Wheel Options (Standard tire option highlighted in yellow)

DIMENSION	LOADER WIDTH (in)	TREAD OPTIONS
460/70R24	92.1	AS Farmer
500/70-R24	93.7	AS Farmer
600/50-26.5	93.7	AS Farmer
650/50-22.5	91.7	MPT
700/40-26.5	93.7	AS Farmer

