

# TECHNICAL SPECS

# Schäffer Model 2630 T SLT

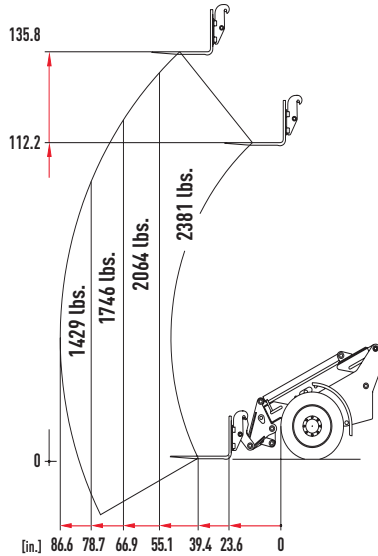
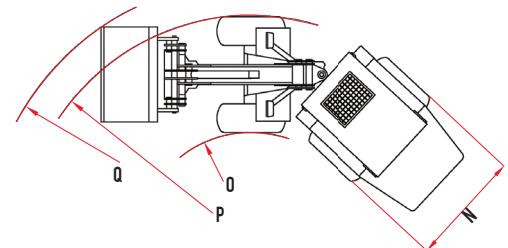
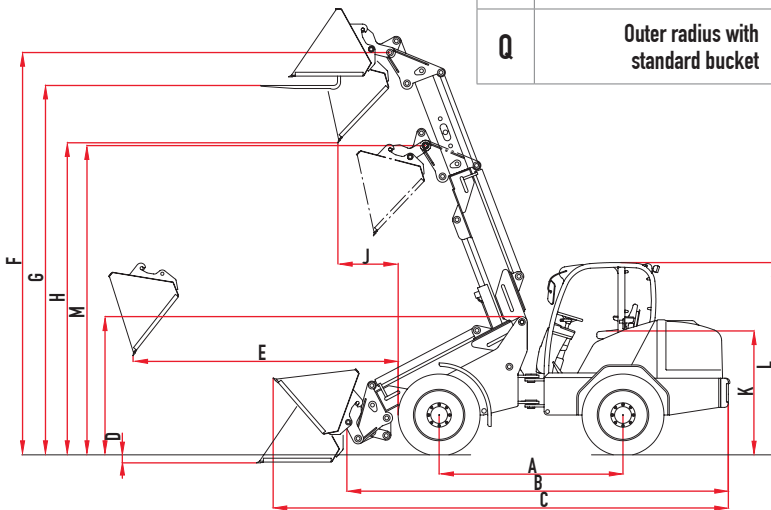


Diagram refers to the lift capacity in relation to the boom extension, when used with forks on stable ground (according EN 474-3)

	DIMENSIONS	2630 T SLT
A	Wheelbase	6 ft 2.8 in
B	Chassis length	12 ft 7.6 in
C	Overall length with standard bucket	15 ft 1.1 in
D	Digging depth	3.5 in
E	Forward reach	5 ft 1.8 in
F	Max. bucket pivot height	12 ft 2.5 in
G	Loading height with pallet fork	11 ft 4.6 in
H	Max. dumping height	9 ft 10.5 in
I	Front end height	5 ft 2.2 in
J	Dumping depth	2 ft 8.3 in
K	Seat height	3 ft 1.6 in
L	Cab height	6 ft 6 in
M	Swivelling point, telescopic arm retracted	10 ft 2 in
N	Overall width	55.5 - 62.6 in
O	Inner turning radius	4 ft 2.8 in
P	Outer turning radius	8 ft 11.9 in
Q	Outer radius with standard bucket	9 ft 11.7 in

	TECHNICAL DATA	2630 T SLT
	Engine	3-cyl. diesel engine Kubota D1703-M-Di, 25 hp (18.5 kW)
	Traction hydraulics	Hydrostatic-automotive, HTF (High Traction Force)
	Service braking system	Combined brake hydrostatic and multi-disc brake
	Parking brake	Multi-disc brake running in oil bath
	Working hydraulics output/pressure	Delivery rate: 10 GPM Operating pressure: 2,900 psi
	Steering	Hydraulic articulated pendulum steering
	Operating weight	6,206 lbs with cab
	Lifting capacity	3,527 lbs
	Tipping load, straight <sup>1</sup>	2,932 lbs
	Axles	Original Schäffer axles, 6-hole rim; Option: automatic slip-control differential
	Speed	12.4 mph in 2 gears switchable under load
	Electric system	Operating voltage: 12 V
	Fill quantities	Fuel: 10.1 gal Hydraulic oil: 7.9 gal
	Sound pressure level LpA	82 dB(A)



<sup>1</sup> Boom horizontal, not extended with pallet fork (acc. To ISO 14397)  
Tire dimensions and additional equipment can change the operating weight, tipping load, and payload.

## Wheel Options (Standard tire option highlighted in yellow)

DIMENSION	LOADER WIDTH (in)*	TREAD OPTIONS
31x15.5-15	55.5 - 62.6	AS Farmer, SKD



AS FARMER



SKD

\*Measurements vary based on rim offset configurations.