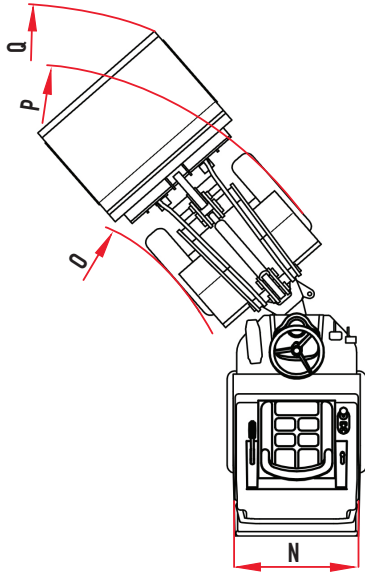


# TECHNICAL SPECS

# Schäffer Model 2430

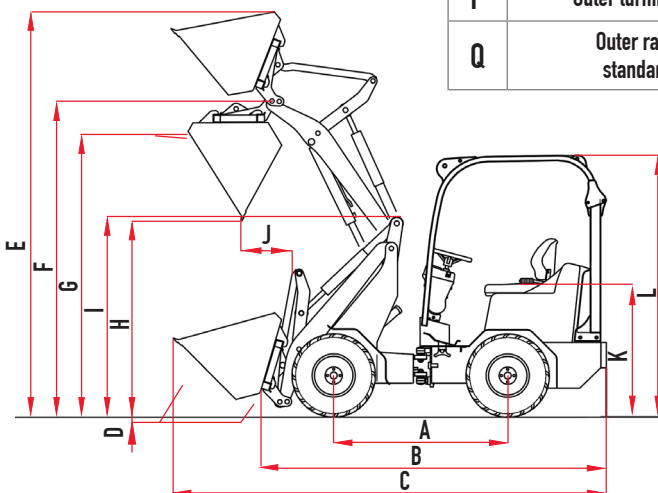


DIMENSIONS		2430
A	Wheelbase	5 ft 4.8 in
B	Chassis length	10 ft 3.6 in
C	Overall length with standard bucket	12 ft 6.8 in
D	Digging depth	4.1 in
E	Max. working height	10 ft 7.2 in
F	Max. bucket pivot height	8 ft 2.4 in
G	Loading height with pallet fork	7 ft 0.6 in
H	Max. dumping height	5 ft 6.9 in
I	Front end height	4 ft 10.7 in
J	Dumping depth	10.2 in
K	Seat height	3 ft 10.9 in
L	Overhead guard height Cab height	7 ft 2.2 in 7 ft 0.3 in
N	Overall width	40.2 - 51.2 in
O	Inner turning radius	3 ft 10.1 in
P	Outer turning radius	7 ft 2.2 in
Q	Outer radius with standard bucket	8 ft 1.6 in

TECHNICAL DATA		2430
Engine		3 Cyl. KUBOTA D1703-M-Di, 25 hp (18.5 kW)
Traction hydraulics		Hydrostatic-automotive, HTF (High Traction Force)
Service braking system		Combined brake hydrostatic and multi-disc brake
Parking brake		Multi-disc brake running in oil bath
Working hydraulics Output/pressure		Delivery rate: 11.1 GPM Operating pressure: 2,900 psi
Steering		Fully hydraulic articulated/swivel steering
Operating weight		4,850 lbs 5,291 lbs with cab
Lifting capacity		4,189 lbs
Tipping load, straight <sup>1</sup>	Pallet fork Bucket	2,804 lbs 3,373 lbs
Tipping load, articulated <sup>1</sup>	Pallet fork Bucket	1,984 lbs 2,601 lbs
Payload	Pallet fork, even ground <sup>2</sup> Pallet fork, uneven ground <sup>2</sup> Bucket <sup>3</sup>	1,587 lbs 1,191 lbs 1,301 lbs
Axles		Original Schäffer axles, 6-hole rim
Speed		12.4 mph
Electric system		Operating voltage: 12 V
Fill quantities		Fuel: 10.6 gal Hydraulic Oil: 7.9 gal
Sound pressure level LpA		85 dB(A)

<sup>1</sup> acc. to ISO 8313 <sup>2</sup> acc. to EN 474-3 <sup>3</sup> acc. to ISO 14397-1

Tire dimensions and additional equipment can change the operating weight, tipping load, and bucket capacity



## Wheel Options

(Standard tire option highlighted in yellow)

DIMENSION	LOADER WIDTH (in)*	TREAD OPTIONS
10.0/75-15.3	40.2 (47.2) - 43.3**	SKD, AS Farmer, <b>MPT</b>
31x15.5-15	51.2	SKD, AS Farmer, Allground
27/10.50-15	40.6	SKD

\*Measurements vary based on rim offset configurations.

\*\*Measurements in brackets for width with turned wheels.



SKD



MPT



AS FARMER



ALLGROUND